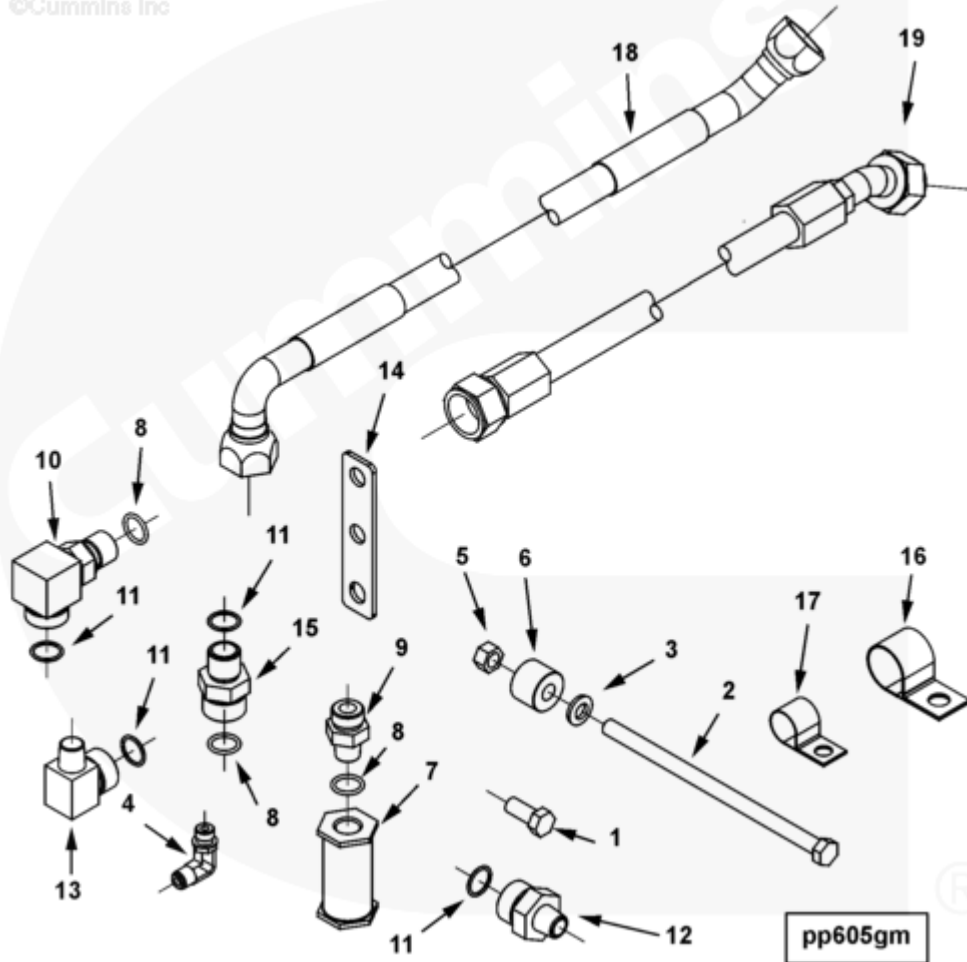




Parts Catalog - Option Detail

Electronic Parts Catalog - Option Detail				
Option	Group	Graphic	Film Card	Date
PP2404-04	06.01.8	pp605gm	K38	06-FEB-06
Engines	GTA38, K38, KTA38GC CM558, QSK38 CM2150 K106, QSK38 CM2150 MCRS, QSK38 CM850 MCRS			

©Cummins Inc



[SMALL](#) | [MEDIUM](#) | [LARGE](#)

Cart	Ref No	Part Number	Part Description	Required	Remarks
View My Cart					
		PP2404-04	Oil Control Connection		
		3635993	Connection , Right Bank Oil Control		
<input type="checkbox"/>	1	S 109	Hexagon Head Cap Screw	1	3/8 - 16 x 7/8 in.
<input type="checkbox"/>	2	137872	Hexagon Head Cap Screw	2	3/8 - 16 X 7 Inch.

<input type="checkbox"/>	3	3036460	Spring Washer	2	
<input type="checkbox"/>	4	3037662	Male Union Elbow	2	
<input type="checkbox"/>	5	3201128	Regular Hexagon Nut	1	3/8 - 16 UNC.
<input type="checkbox"/>	6	3626867	Mounting Spacer	2	
<input type="checkbox"/>	7	178079	Check Valve	1	
<input type="checkbox"/>	8	3046201	O-Ring Seal	1	
	9	3063019	Male Connector	1	
<input type="checkbox"/>		3630736	Male Union Elbow	1	
<input type="checkbox"/>	8	3046201	O-Ring Seal	1	
	10	3630737	Male Adapter Elbow	1	
<input type="checkbox"/>	11	3630740	O-Ring Seal	1	
<input type="checkbox"/>		3634698	Male Union	1	
<input type="checkbox"/>	11	3630740	O-Ring Seal	1	
	12	3634695	Male Union	1	
<input type="checkbox"/>		3634701	Male Adapter Elbow	1	
<input type="checkbox"/>	11	3630740	O-Ring Seal	1	
	13	3634700	Male Adapter Elbow	1	
<input type="checkbox"/>	14	3635951	Check Valve Bracket	1	
<input type="checkbox"/>		3636257	Male Union	1	
<input type="checkbox"/>	8	3046201	O-Ring Seal	1	
<input type="checkbox"/>	11	3630740	O-Ring Seal	1	
<input type="checkbox"/>	15	3636256	Male Union	1	
<input type="checkbox"/>	16	3821556	Clip	1	
		3631991	Connection , Right Bank Oil Supply	1	
<input type="checkbox"/>	17	69911 A	Clip	2	
<input type="checkbox"/>	18	3631885	Flexible Hose	1	
<input type="checkbox"/>	19	3630864	Flexible Hose	1	